

GH-75-BL Stainless Steel Handle

Features

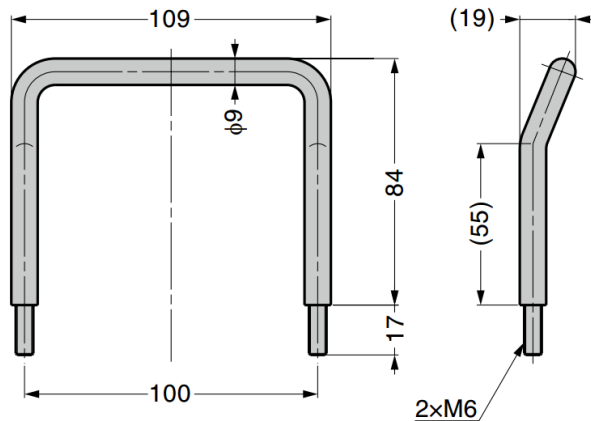
- Angled grip for a comfortable grip

Material

- Stainless steel 304, polished

Notes

- To use washers (not included) for wood or melamine resin



Part No.
GH-75-BL-100

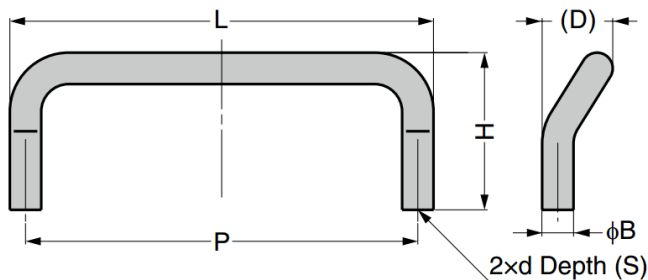
GH-75-C Stainless Steel Handle

Features

- Angled grip for a comfortable grip
- Components (**GAS**) for installation to aluminium frame are available

Material

- Stainless steel 304, polished



Part No.	L	H	D	B	P	d	S
GH-75-C-66	66	30	16	6	60	M4	7
GH-75-C-86	86	31.5			80		
GH-75-C-108	108	32	18	8	100	M5	10
GH-75-C-128	128	40			120		